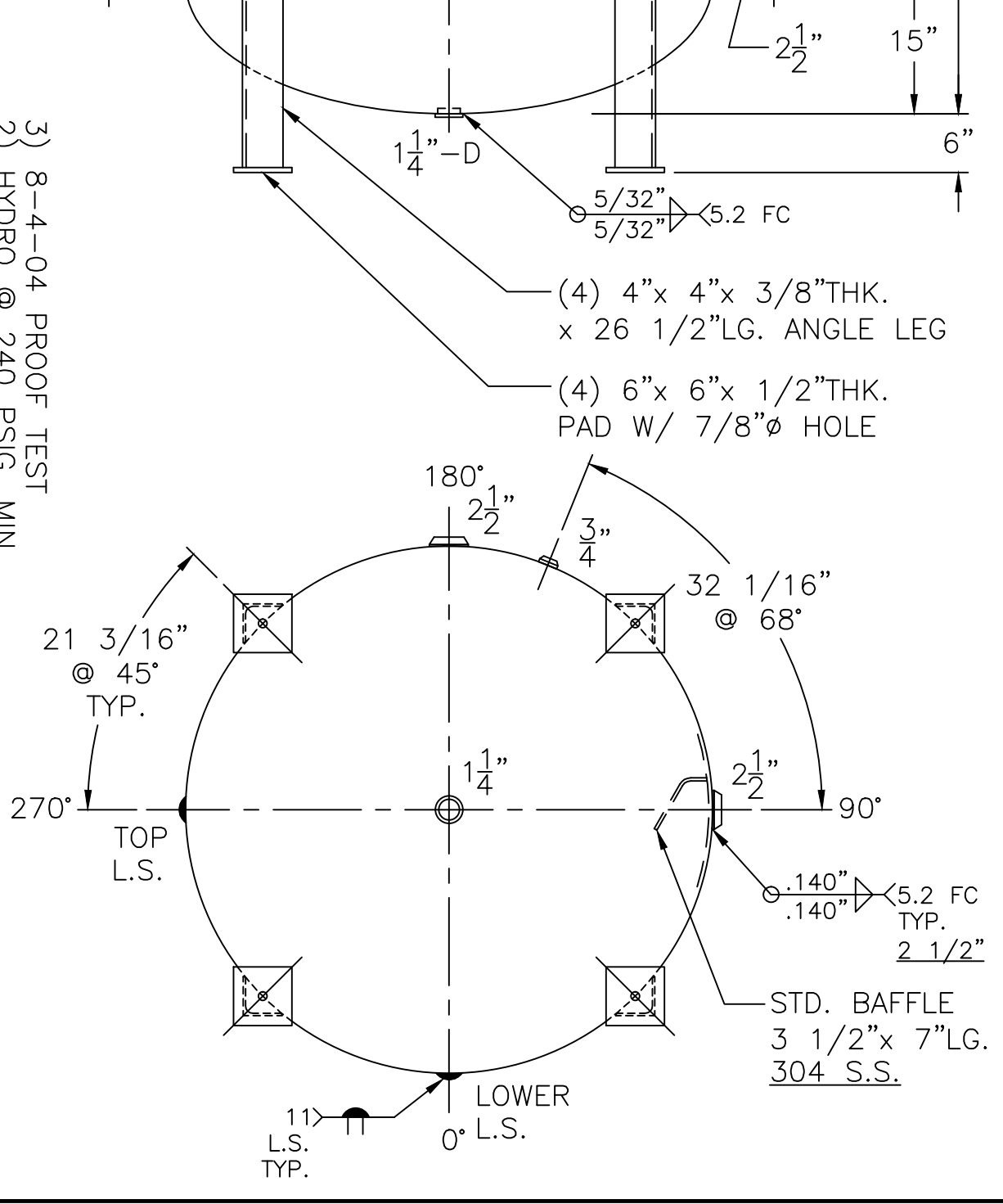


SHELL / HEADS	
.250" SA-516-70 2:1 S.E.	
(.255" MIN.) JOGGLED	
.230" SA-455	
M.A.W.P. 160 PSIG. @ 210 °F	
ASME SECTION IV 2013	
X-RAY: RT-NO / H.L.W.	
GALLONS: 1040	WT. 1764 LBS.
SERIAL NO.	
N.B.	
<b>GS-54-1040-V</b>	
FOR: HANSON STANDARD	REV. 7-16-14
VERT. HOT WATER TANK.	DATE: 6-13-90
SURFACE AREA = 146.1 SQ. FT.	
INSIDE: GLASS LINED	
OUTSIDE: S. BLAST AND PRIME	
CAD-"B" UNDER "STD"-SERIES	
BY: E.S.	SCALE: 3/4"=12"
<b>ROY E. HANSON JR. MFG.</b>	
1600 E. WASHINGTON BLVD.	
LOS ANGELES, CA 90021	

NOTE: 1) SHIP LOOSE W/ (2) 1 5/16" x 72" LG. FLEX. MAG. ANODES.  
 2) HYDRO @ 240 PSIG. MIN.  
 3) 8-4-04 PROOF TEST



(4) 4"x 4"x 3/8" THK. x 26 1/2" LG. ANGLE LEG  
 (4) 6"x 6"x 1/2" THK. PAD W/ 7/8" Ø HOLE  
 STD. BAFFLE 3 1/2"x 7" LG. 304 S.S.