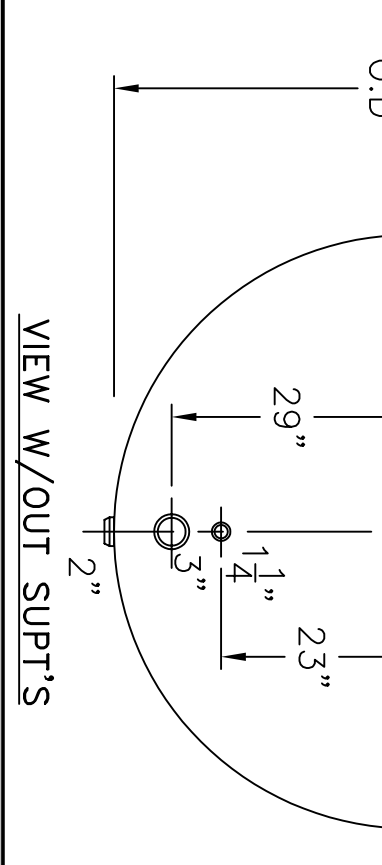


NOTE. 1) HYDRO @ 188 PSIG. MIN. TO 197 PSIG. MAX.
 2) SHIP LOOSE W/(3) 1 5/16" x 60" LG. FLEX. MAG. ANODES.
 3) SHELL & LEFT HEAD - 8/26/04 PROOF TEST.

SHELL / HEADS		LEFT - .250" SA-455 2:1 S.E. (.210" MIN.)	RIGHT - .317" SA-455 2:1 S.E. (.265" MIN.)	.250" SA-455
M.A.W.P.	125 PSIG. @	210 °F		
ASME SECTION IV 2010 ADD 2010				
X-RAY:	RT-NO/H.L.W.			
GALLONS:	1950	WT. 3138	LBS.	
SERIAL NO.				
N.B.				
INSIDE:	GLASS LINED			
OUTSIDE:	PRIME			
CAD "B" SIZE UNDER "STD"-SERIES				
BY: J.G.	SCALE: 1/2"=12"			
ROY E. HANSON JR. MFG.		1600 E. WASHINGTON BLVD. LOS ANGELES, CA 90021		
FOR: HANSON TANK	GS-72-1950-H	REV. 8-26-11		
HORIZ. HOT WATER TANK.		DATE: 5-21-90		
SURFACE AREA = 215.0 SQ.FT.				



VIEW W/OUT SUPPT'S