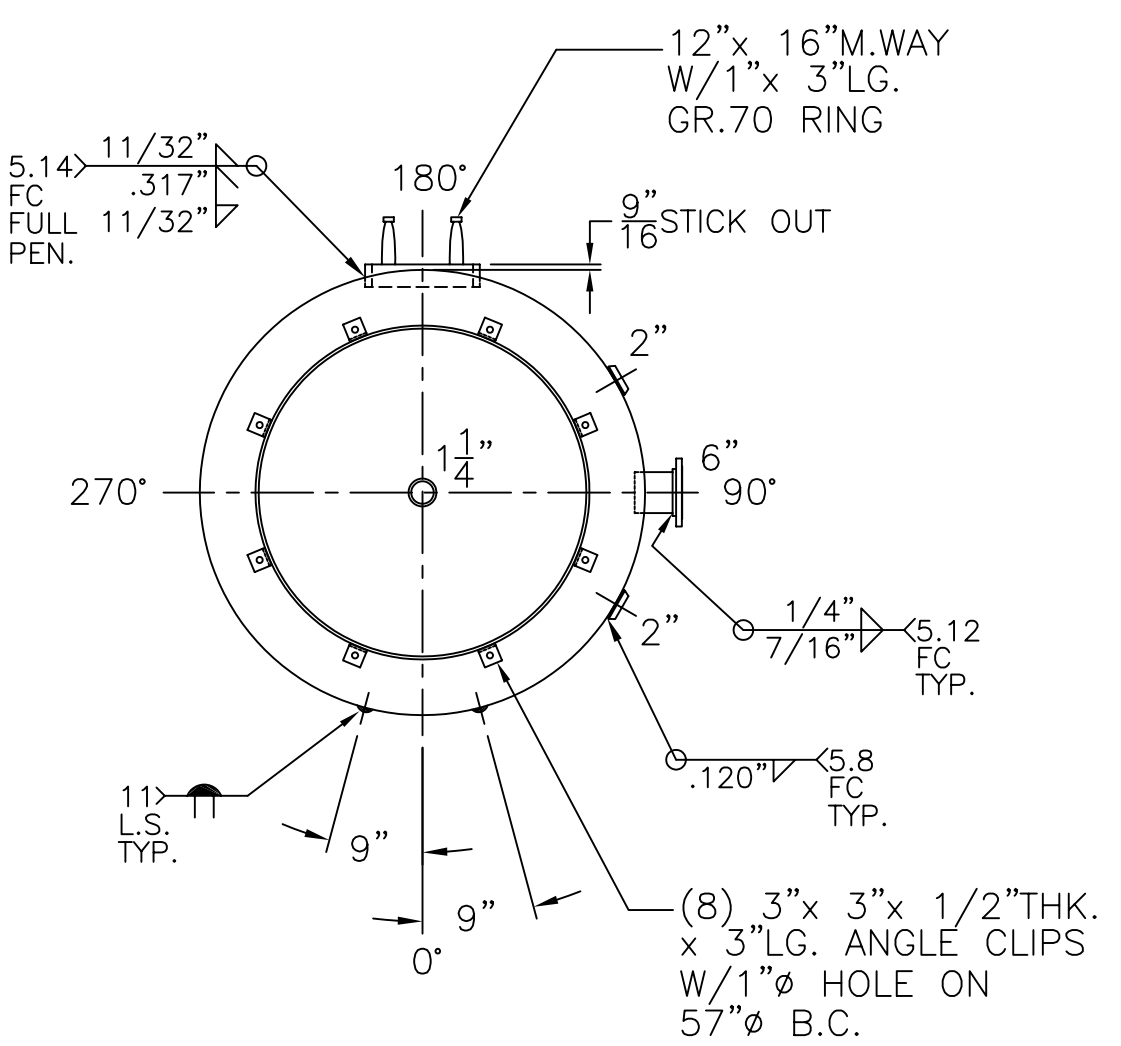
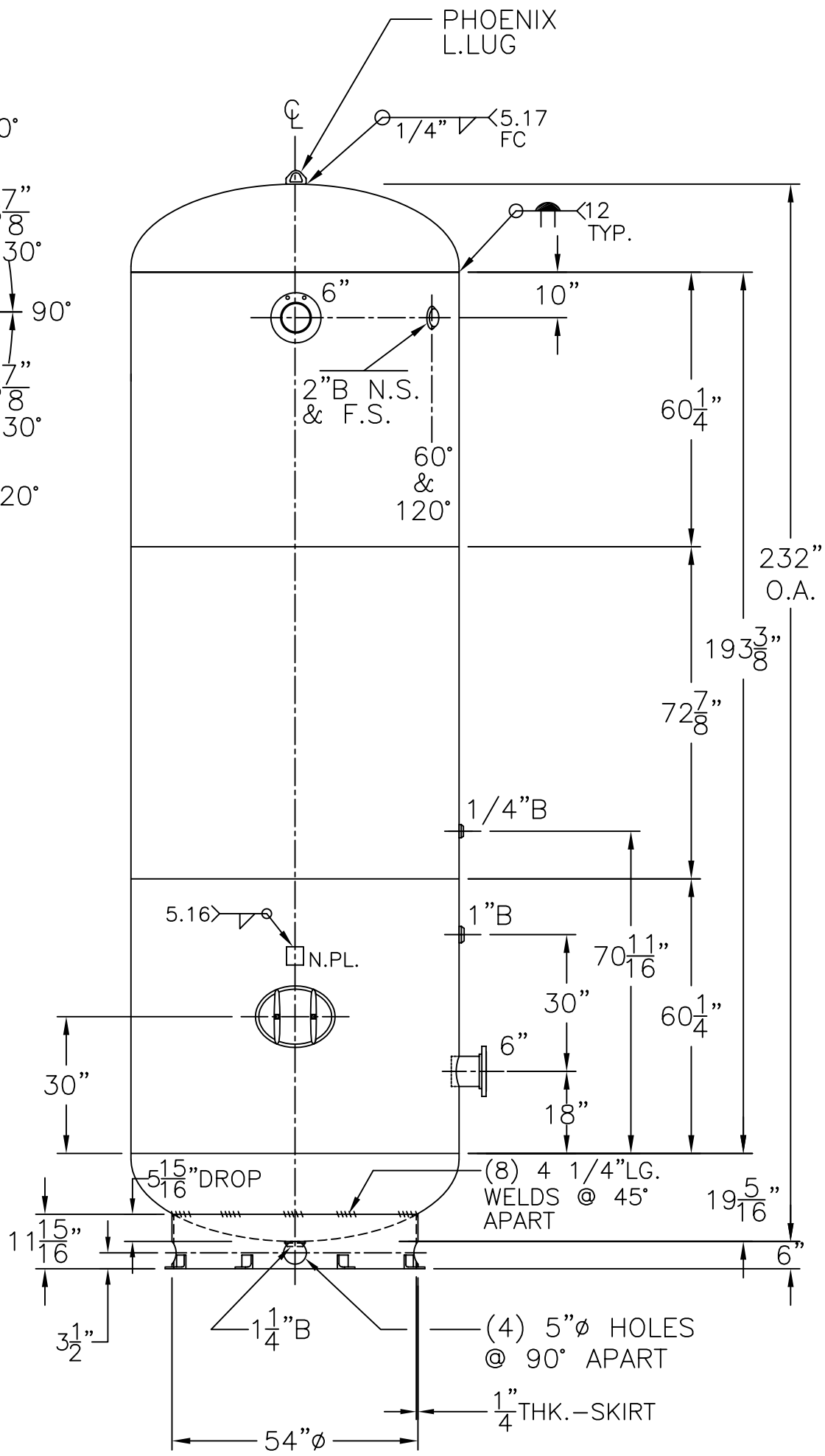


6"-150# R.F.S.O.
 FLG. W/SCH 80
 SA-106-B
 PIPE x 7 5/8" LG.
 (2) PLC'S



NOTE: 1) HYDRO @ 195 PSIG. MIN.

SHELL / HEADS		.317" SA-455 2:1 S.E. (.251" MIN.)	
M.A.W.P.	150 PSIG. @ 400 °F		
M.D.M.T.	-20 °F 150 PSIG		
ASME SECTION VIII DIV. 1, 2010 ADD 2011			
X-RAY:	RT-4 SPOT L.S. & HDS. G.S.		
GALLONS:	3800	WT. 5462	LBS.
SERIAL NO.			
N.B.			
72-VP-3800-R		REV. 3-27-12	
FOR: HANSON STANDARD		DATE: 6-11-99	
VERT. AIR TANK			
UW-21(b)			
INSIDE: UNPAINTED			
OUTSIDE: PRIME			
CAD "B"-SIZE UNDER "STD"-SERIES			
BY: J.G.	SCALE: 3/8"=12"		
ROY E. HANSON JR. MFG.			
1600 E. WASHINGTON BLVD. LOS ANGELES, CA 90021			