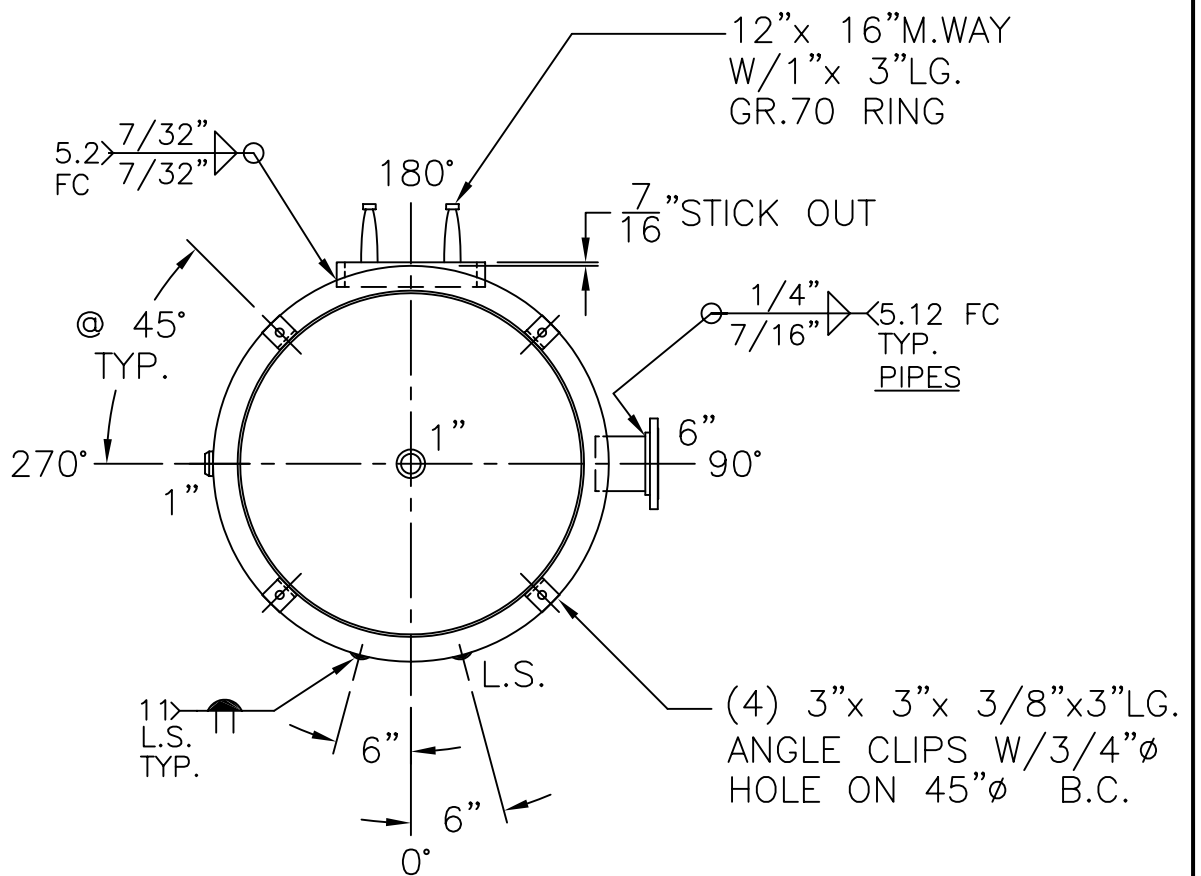
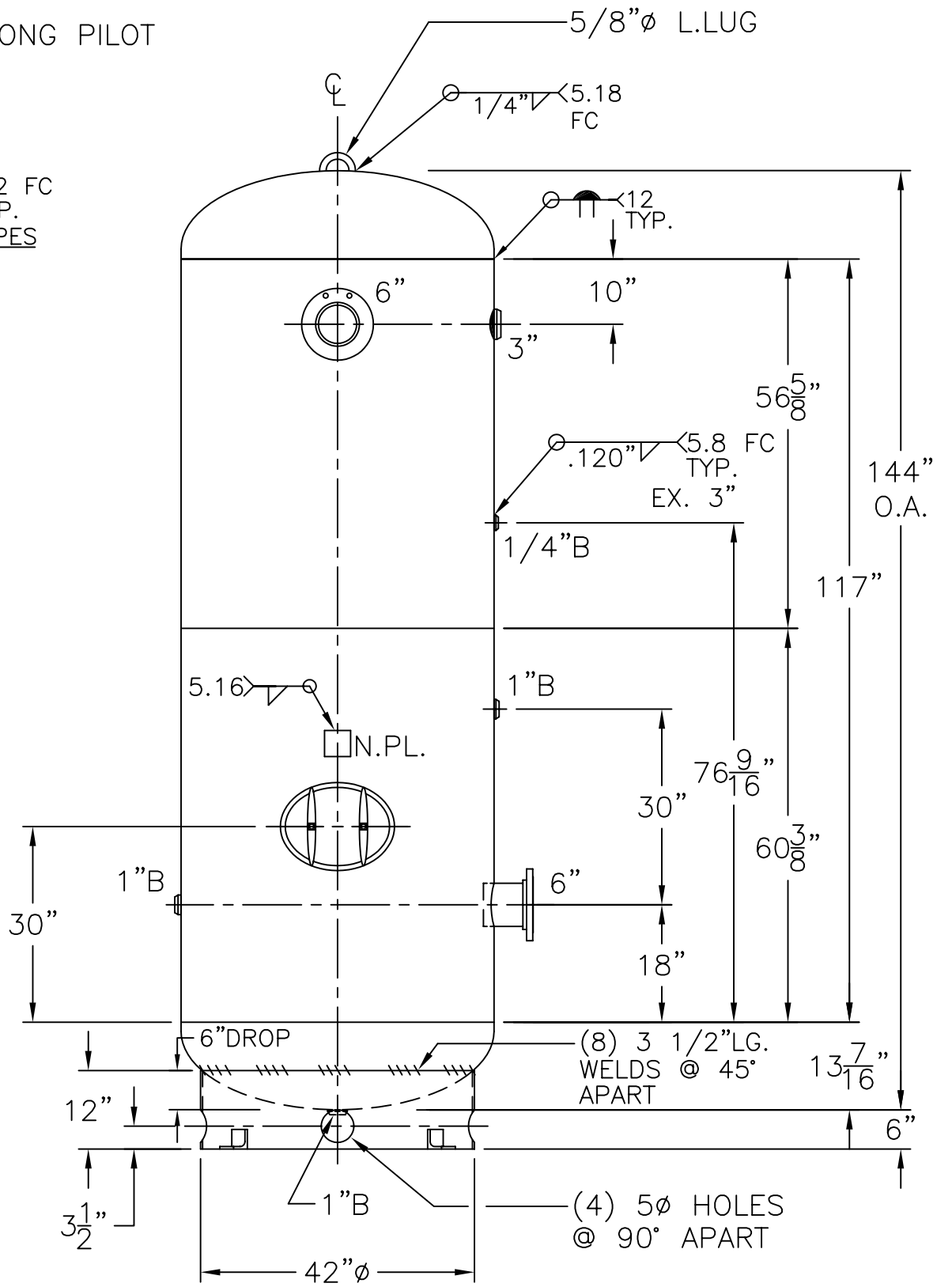


6"-150# R.F.S.O.
 FLG. W/SCH 80
 SA-106-B
 PIPE x 7 5/8"LG.
 (2) PLC'S



NOTE: 1) 2) DRAIN FOR HORIZONTAL MOUNT ADDED AFTER SERIAL #423,136
 HYDRO @ 179 PSIG. MIN.

SHELL / HEADS		.250" SA-414-G 2:1 S.E.	
JOGGLE - .198 OFFSET		.200" SA-455	
M.A.W.P.	137 PSIG. @ 400 °F	FOR: HANSON STANDARD	48-VQ-1060-R
M.D.M.T.	-20 °F @ 137 PSIG.	VERT. AIR TANK	REV. 8-8-11
ASME SECTION VIII	DIV. 1, 2010 ADD 2010	INSIDE: UNPAINTED	DATE: 6-30-80
X-RAY:	RT-4 SPOT L.S. ONLY	OUTSIDE: PRIME	SCALE: 1/2" = 12"
GALLONS:	1060	WT. 1760 LBS.	BY: J.G.
SERIAL NO.			
N.B.			

ROY E. HANSON JR. MFG.
 1600 E. WASHINGTON BLVD.
 LOS ANGELES, CA 90021