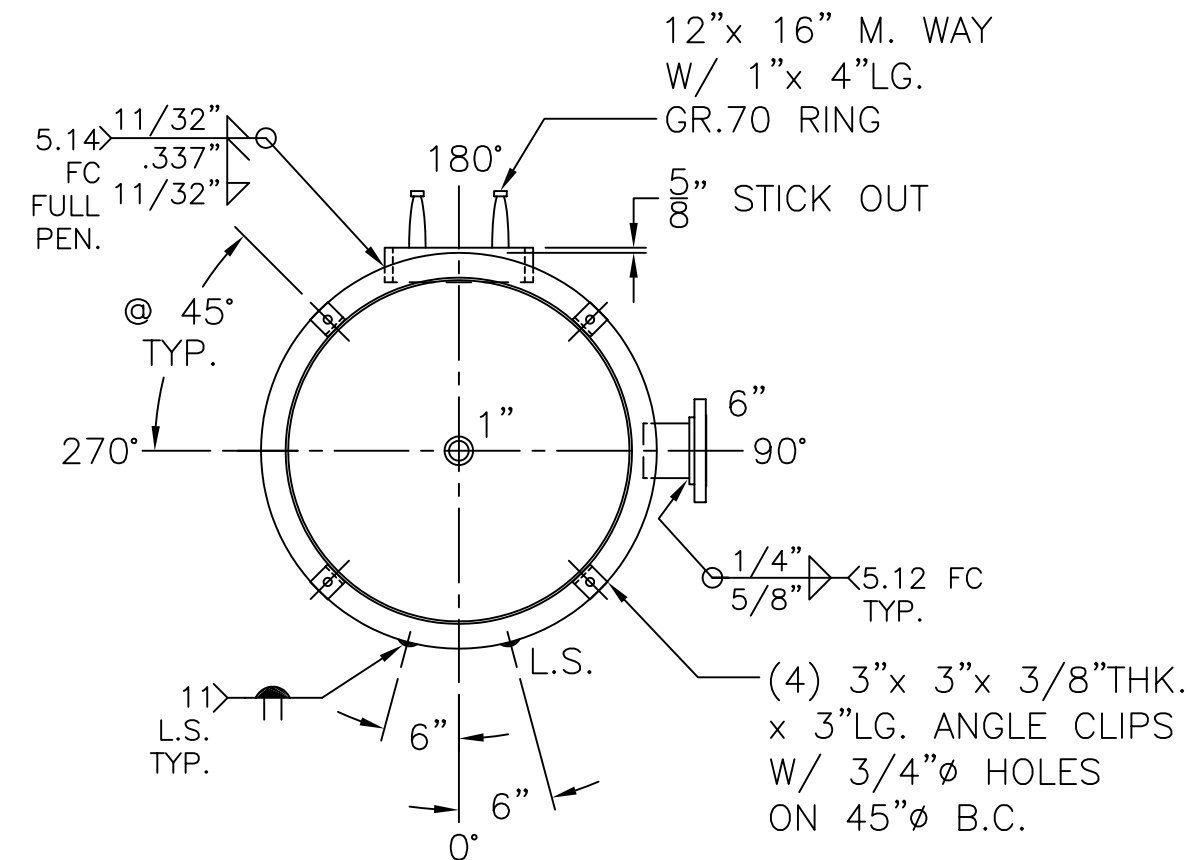
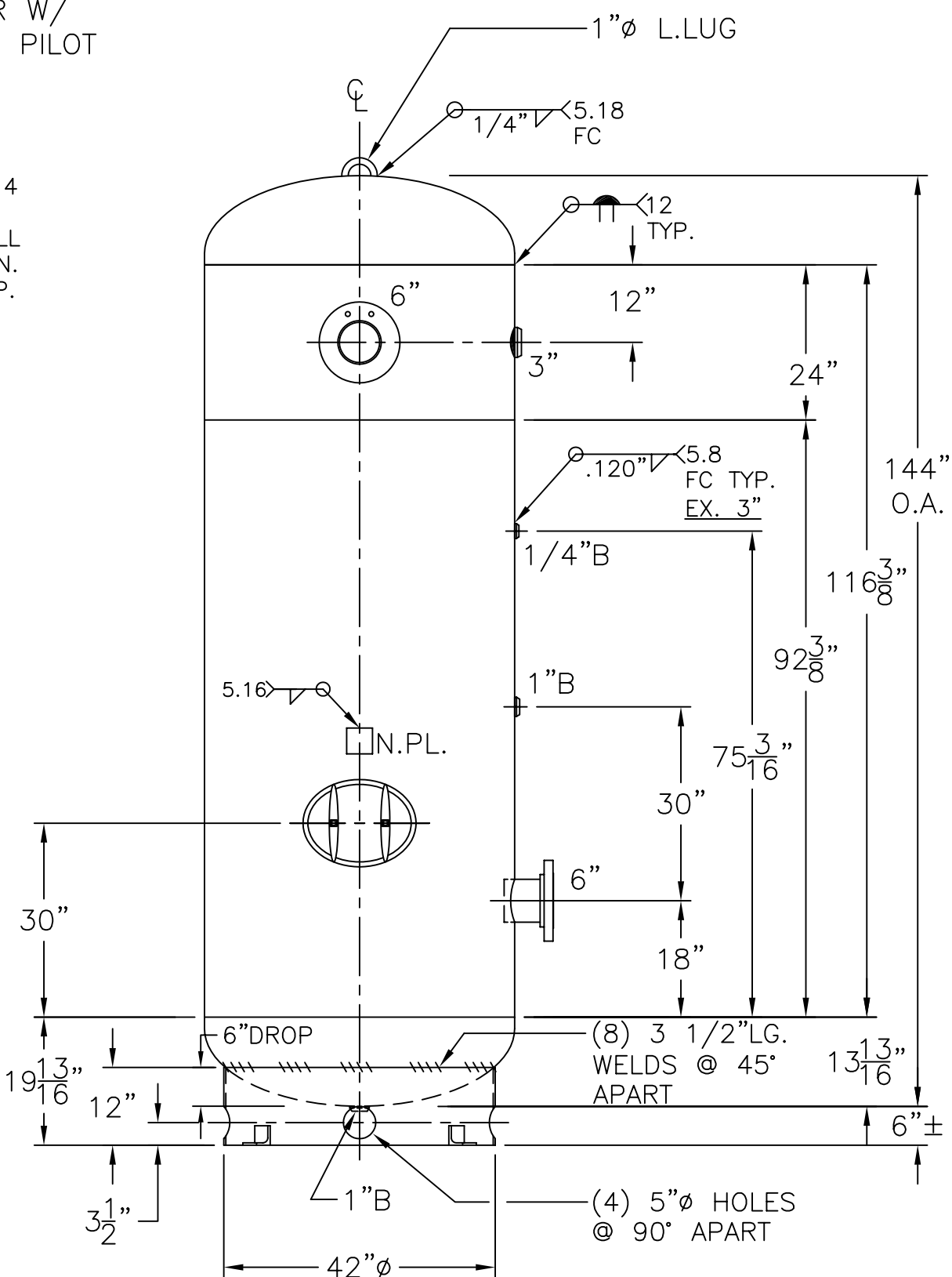


6"-300# R.F.S.O.
 FLG. W/ SCH. 80
 SA-106-B
 PIPE x 7 5/8" LG.
 (2) PLC'S.



NOTE: 1) HYDRO @ 325 PSIG. MIN.

SHELL / HEADS	.289" SA-455 2:1 S.E. (.280" MIN.) JOGGLED (.298" OFFSET)
M.A.W.P.	250 PSIG. @ 400 °F
M.D.M.T.	-20 °F @ 250 PSIG.
ASME SECTION VIII	DIV. 1, 2010 ADD 2010
X-RAY	RT-4 SPOT L.S. & HDS. G.S.
GALLONS	1060 WT. 2495 LBS.
SERIAL NO.	
N.B.	

48-VC-1060-R	REV. 8-8-11
FOR: HANSON STANDARD	DATE: 6-30-99
VERT. AIR TANK	
UW-21(b)	
INSIDE: UNPAINTED	
OUTSIDE: PRIME	
CAD "B" SIZE UNDER "STD"-SERIES	
BY: J.G.	SCALE: 1/2"=12"
ROY E. HANSON JR. MFG.	
1600 E. WASHINGTON BLVD.	
LOS ANGELES, CA 90021	