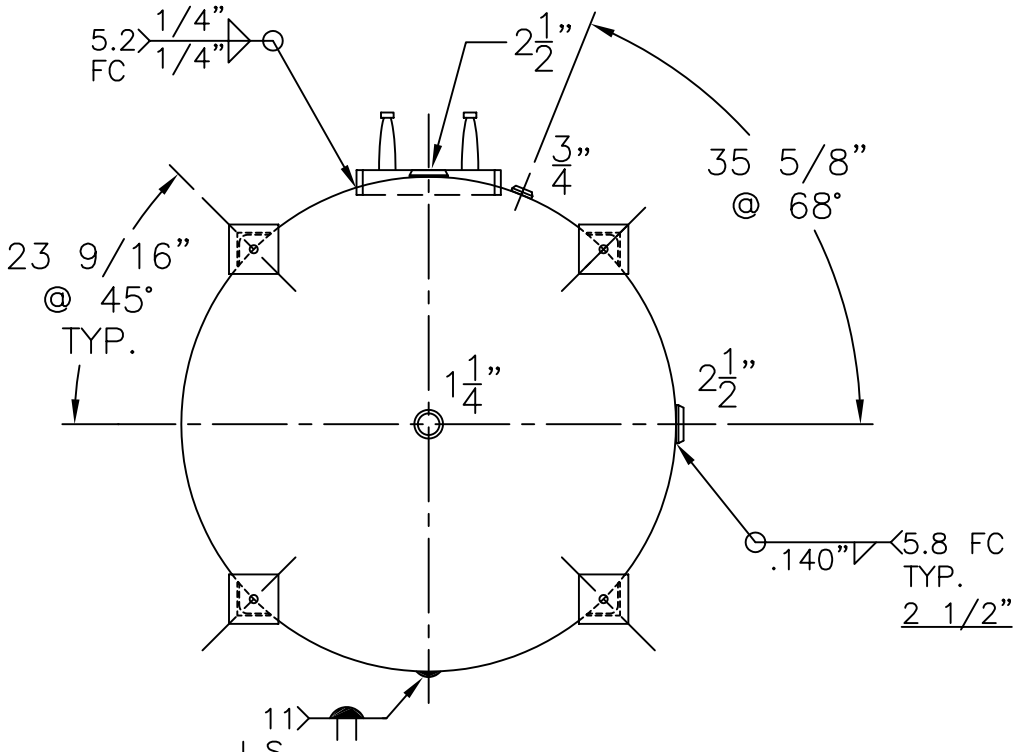


(4) 4" x 4" x 1/2" THK. x 27" LG. ANGLE LEGS

(4) 6" x 6" x 1/2" THK. PAD W/ 3/4" Ø HOLE FOR 1/2" Ø x 8" LG. BOLTS GRADE 5 OR BETTER 6" EMBEDMENT



NOTE: 1) .250" SA-455 2:1 S.E.

2) HYDRO @ 188 PSIG. MIN. TO 197 PSIG. MAX.

3) 5-6-04 PROOF TEST.

5) 1 1/2"-3000# FULL CPLG. ON TOP-304 S.S.

SHIP LOOSE W/(2) 1 5/16" x 84" LG. FLEX. MAG. ANODES.

SHELL / HEADS		.250" SA-455 2:1 S.E.	
.218" SA-455			
M.A.W.P.	125 PSIG. @ 210 °F		
ASME SECTION	IV 2007 ADD. 2007		
X-RAY:	RT-NO / H.L.W.		
GALLONS:	1450	WT.	2130 LBS.
SERIAL NO.			
N.B.			
INSIDE: GLASS LINED		REV. 1-15-08	
OUTSIDE: PRIME		DATE: 6-14-90	
LEG-ZONE 4-15 KM.		FOR: HANSON STANDARD	
CAD-"B" UNDER "STD"-SERIES		VERT. HOT WATER TANK.	
BY: J.G.		SCALE: 1/2"=12"	
ROY E. HANSON JR. MFG.		SURFACE AREA = 185.0 SQ. FT.	
1600 E. WASHINGTON BLVD.		INSIDE: GLASS LINED	
LOS ANGELES, CA 90021		OUTSIDE: PRIME	