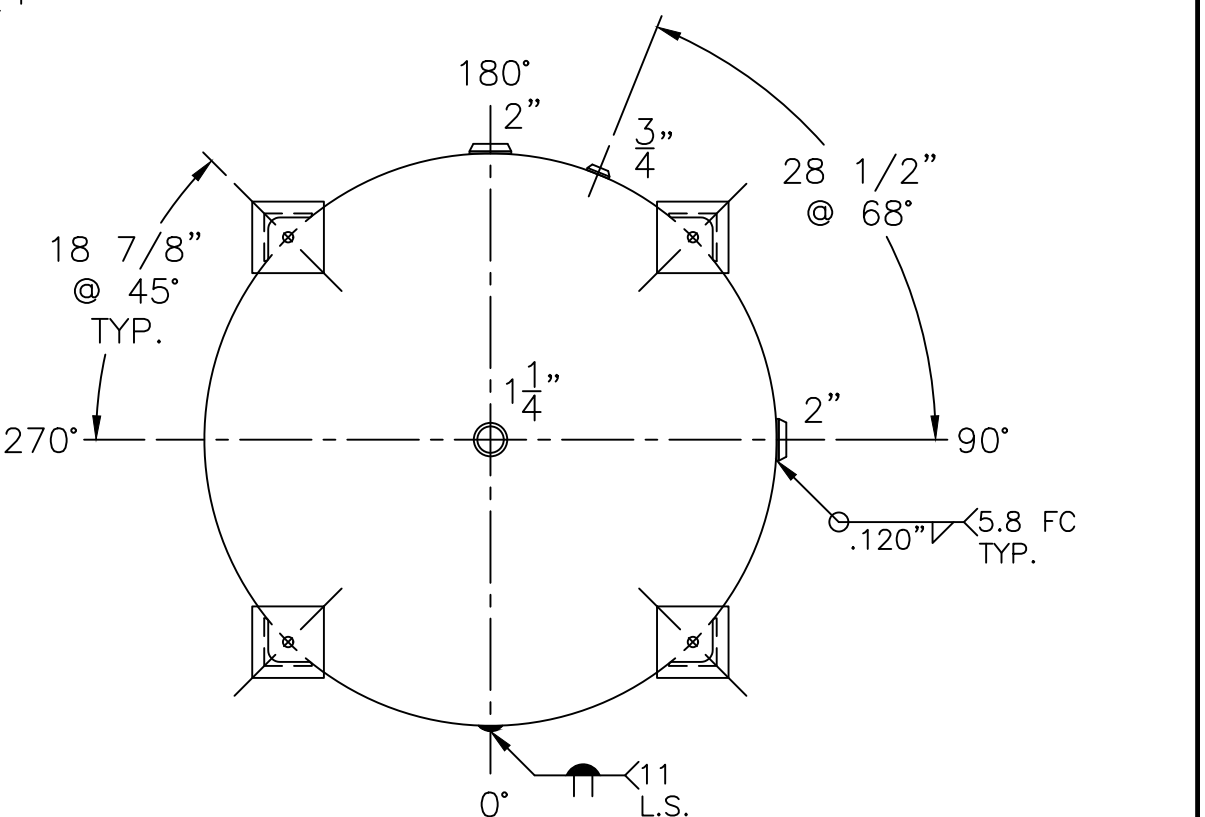


(4) 4"x 4"x 3/8" THK. x 23 3/4" LG. ANGLE LEGS
 (4) 6"x 6"x 1/2" THK. PAD W/ 7/8" Ø HOLE



NOTE: 1) SHIP LOOSE W/ (1) 1 5/16" x 120" LG. FLEX. MAG. ANODE.
 2) HYDRO @ 240 PSIG.
 3) 4-22-04 PROOF TEST.

SHELL / HEADS		.250" SA-455 2:1 S.E.	
M.A.W.P. 160 PSIG. @ 210 °F		JOGGLE	
ASME SECTION IV 2015		.218" SA-455	
X-RAY: RT-NO / H.L.W.		M.A.W.P. 160 PSIG. @ 210 °F	
GALLONS: 900 WT. 1618 LBS.		FOR: HANSON STANDARD	
SERIAL NO.		VERT. HOT WATER TANK	
N.B.		SURFACE AREA = 136.7 SQ. FT.	
INSIDE: GLASS LINED		DATE: 6-13-90	
OUTSIDE: S. BLAST & PRIME		REV: 11-30-16	
LEG-ZONE 4-15 KM.		DATE: 6-13-90	
CAD "B" SIZE UNDER "STD" SERIES		FOR: HANSON STANDARD	
BY: E.S. SCALE: 3/4"=12"		VERT. HOT WATER TANK	
ROY F. HANSON JR. MFG.		SURFACE AREA = 136.7 SQ. FT.	
LOS ANGELES, CA 90021		INSIDE: GLASS LINED	