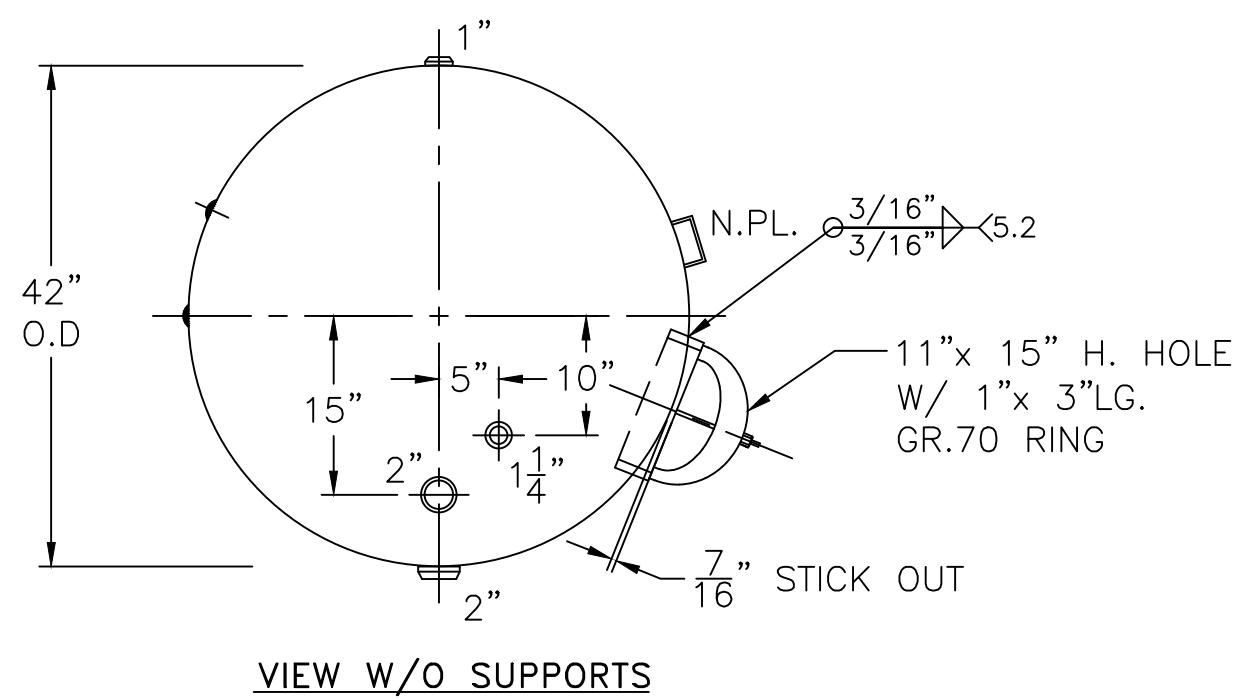


SOLAR FEET PER:
S-42-660-H-1C



- 3) INSTALL (2) 1 5/16" x 36" LG. RIGID MAG. ANODES.
- 2) 3-19-09 PROOF TEST.

NOTE: 1) HYDRO @ 240 PSIG.

SHELL / HEADS	.205" SA-455 2:1 S.E.	GS-42-660-H	REV. 7-30-13
	JOGGLE		DATE: 5-18-90
	.175" SA-414-G	FOR: HANSON STANDARD	
		HORIZ. HOT WATER TANK	
		SURFACE AREA = 115.8 SQ. FT.	
	M.A.W.P. 160 PSIG. @ 210 °F	INSIDE: GLASS LINED	
	ASME. SECTION IV 2010 ADD 2011	OUTSIDE: S. BLAST & PRIME	
	X-RAY: RT-NO / H.L.W.	CAD "B" SIZE UNDER "STD"-SERIES	
	GALLONS: 660 WT. 1063 LBS.	BY: E.S.	SCALE: 3/4"=12"
	SERIAL NO.	ROY E. HANSON JR. MFG.	
	N.B.	1600 E. WASHINGTON BLVD. LOS ANGELES, CA 90021	