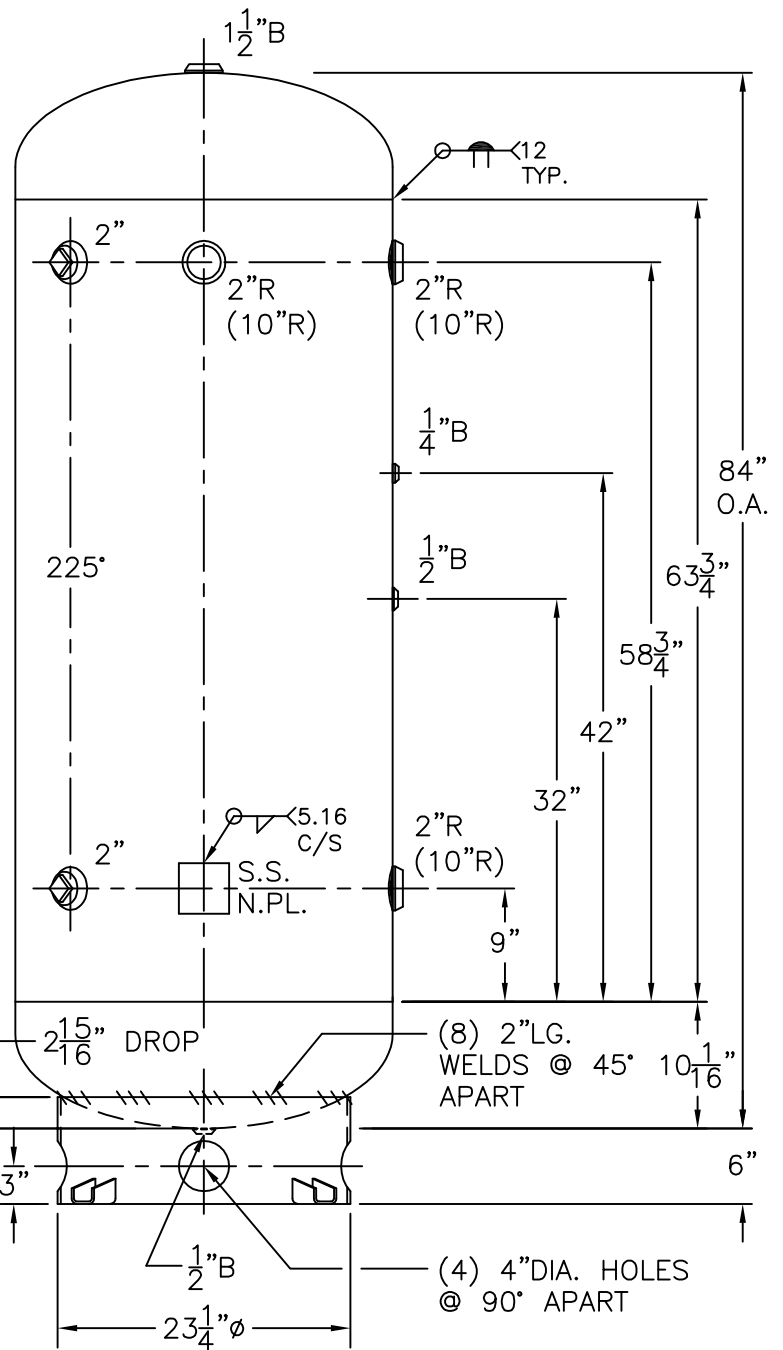
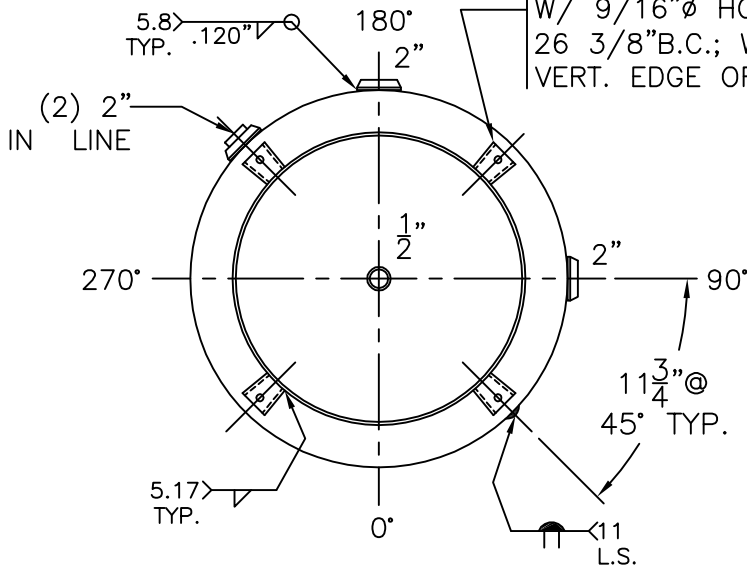


2"R (10"R)
W/ C.I. PLUG
INSP. OPENING
(2) PLC'S.



1/4" THK. CLIPS PER
MA-395-B (4) PLC'S.
W/ 9/16" Ø HOLE ON
26 3/8" B.C.; WELD OUTSIDE
VERT. EDGE OF CLIP ONLY



NOTE: 1) HYDRO @ 260 PSIG. MIN.

SHELL / HEADS	
.166" SA-414-G	2:1 S.E.
(.164" MIN.) JOGGLE	
.166" SA-414-G	
M.A.W.P.	200 PSIG. @ 400 °F
M.D.M.T.	-20 °F @ 200 PSIG.
ASME SECTION VIII DIV. 1, 2015	
X-RAY: RT-4 SPOT L.S. ONLY	
GALLONS: 240	WT. 436 LBS.
SERIAL NO.	
N.B.	

30-VA-240-R		REV.	2-3-16
FOR: HANSON STANDARD		DATE:	12-2-86
VERT. AIR TANK			
INSIDE:	UNPAINTED		
OUTSIDE:	PRIME		
BY: E.S.	SCALE: 3/4"=12"		
ROY F. HANSON JR. MFG.			
LOS ANGELES, CA 90021			